

• PERFORMANCE PLUS •

PROUDLY AUSTRALIAN MADE



PF-8-28



RBA24 ON STAND



PF-24G-4-28/SA



PF-RB-36-28



SSP 1855



Goldstein

Established 1911

The Cooking Equipment Professionals

www.goldstein.com.au

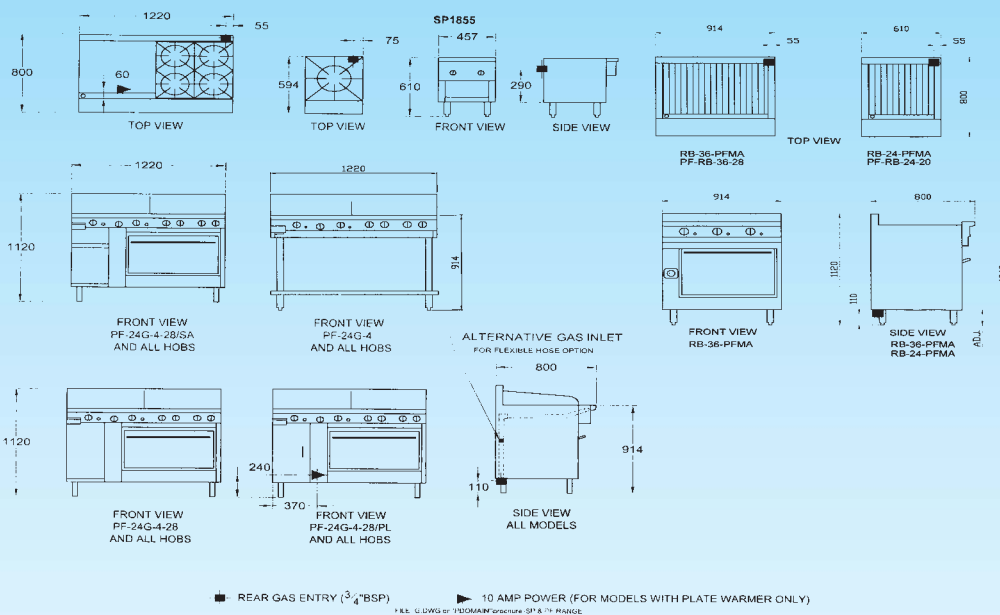
PERFORMANCE PLUS

With the Performer Range you get flexibility, modularity, cooktop performance and even heat distribution of oven temperatures. Boiling tops, griddles, charbroiler or cooktop combinations are all designed to support single or double oven configurations. You choose your preferred combination

Specifications

- Stainless steel face and hob standard
- All welded frame of heavy steel ensures rigidity and permanent alignment.
- Construction is 1.6mm steel including all linings. Oven bottoms are 2mm gauge steel with raised sides and back to catch spillovers. A 2mm gauge steel baffle protects oven bottom from direct burner flame.
- Oven interior is completely porcelain enamelled. Easy to clean prevents rusting.

- Large capacity, fully insulated and sealed ovens designed for even distribution of heat. Ovens are ample in size for large baking and roasting pans.
- Heavy duty oven burners each rated at 32mj per hour. Thermostats are out of the high heat zone for accurate temperatures. 100% automatic oven safety pilots are standard equipment for positive oven lighting.
- Spring balanced oven door construction for trouble free operation.
- Two chrome plated, non-tilting oven racks standard.
- Oven interior is easily removable for cleaning (no tools)
- Gastronorm sized oven.
- Flame Failure standard to all enclosed burners.
- Optional extra to open burners.



RADIANT CHARBROILER

RB MODELS

- Specially designed reversible cast iron grates to enable cooking of fish on one side or meat on the other. Scientifically designed trough to ensure optimum flaring.
- Flame failure standard to RBA burners.

STOCK POT RANGE SP1855

- High capacity 56mj dual control burner.

PRODUCT	MODEL NUMBER	OVERALL DIMENSIONS (mm)			WORKING HEIGHT	OVEN DIMENSIONS (mm)			ELEC. AMP	POWER INFORMATION		NET WGT KG	CUBE M ³ PKGD	AGA. APP.No.
		WIDTH	DEPTH	HEIGHT		WIDTH	DEPTH	HEIGHT		GAS SIZE (mm)	RAT.MJ.			
8 BURNERS	PF-8-28	1220	800	1120	914	710	560	355	-	25	242	260	1.35	2494
305mm Griddle & 6 Burners	PF-12G-8-28										208	280		
610mm Griddle & 4 Burners	PF-24G-4-28										178	274		
915mm Griddle & 2 Burners	PF-36G-2-28										146	285		
1220mm GRIDDLE	PF-48G-28										114	295		
8 BURNERS	PF-48	1220	800	1120	914	-	-	-	-	25	208	164	1.35	2494
305mm Griddle & 6 Burners	PF-12G-6										174	180		
610mm Griddle & 4 Burners	PF-24G-4										144	274		
915mm Griddle & 2 Burners	PF-36G-2										112	274		
1220mm GRIDDLE	PF-48G										80	230		
8 BURNERS	PF-8-28/SA	1220	800	1120	914	710	560	355	-	25	255	260	1.35	4256
305mm Griddle & 6 Burners	PF-12G-6-28/SA										220	280		
610mm Griddle & 4 Burners	PF-24G-4-28/SA										190	290		
915mm Griddle & 2 Burners	PF-36G-2-28/SA										158	300		
1220mm GRIDDLE	PF-48G-28/SA										126	310		
610mm RBA	PF-RB-24-20	610	800	1120	1040	530	560	355	-	25	106	200	0.70	2641
915mm RBA	PF-RB-36-28	914			1040	710					148	300	1.00	
610mm RBA	RB-24-PFMA	610			914	-					76	170	0.70	
915mm RBA	RB-36-PFMA	914			914	-					114	190	1.00	
STOCK POT BOILING TABLE	SP1855	457	594	610	610	-	-	-	-	19	56	59	0.20	

REAR GAS ENTRY (3/4" BSP) 10 AMP POWER (FOR MODELS WITH PLATE WARMER ONLY)
P.B. U.D.W.S. or "BODKMAN" structure SP1855 RANGE

B13



ABN 74 000 100 845 - ABN 87 002 481 521

Group Sales: 211-213 Woodpark Rd, Smithfield NSW 2164
 Telephone (02) 9604 7333 Facsimile (02) 9604 5420
 Vic (03) 9553 1355. Qld (07) 3891 1466.
 SA (08) 8228 2422 WA (08) 9456 0550



Proudly Distributed by

Quality Endorsed Company
 Head Office