

**GRIDDLES, COMBINATION GRIDDLE/
SALAMANDER TOASTERS-ELECTRIC**

PROUDLY AUSTRALIAN MADE



GPEDB-24



GPEDB/ST 24 ON SB24RB STAND



GPEDB-36 ON SB36 STAND



Goldstein

Established 1911

The Cooking Equipment Professionals

www.goldstein.com.au

● GPE, GPED, GPEDB ON STAND, GPE 30 ●

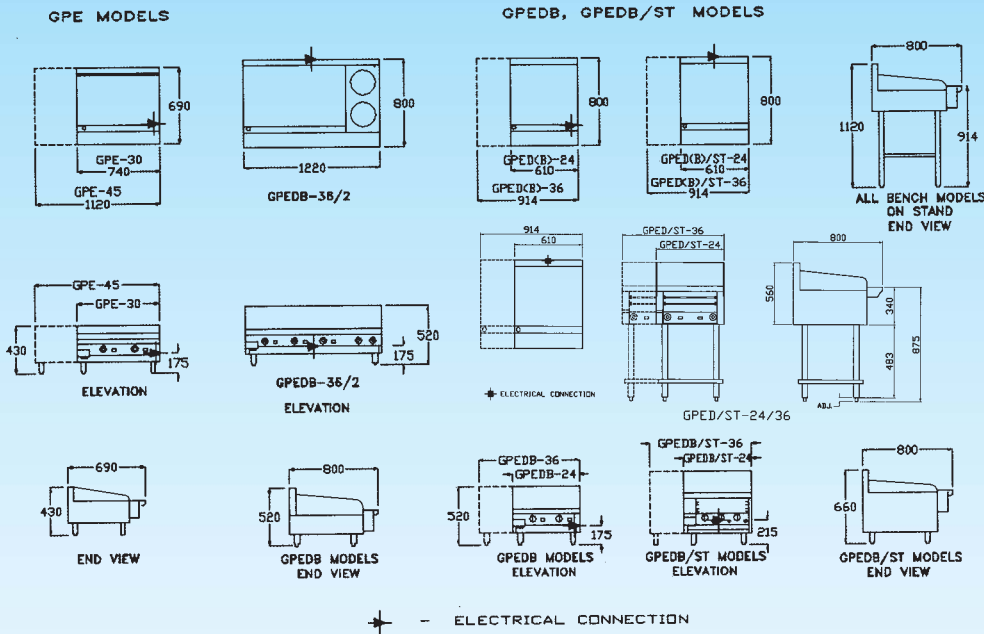
GRIDDLES, COMBINATION GRIDDLE/SALAMANDER TOASTERS-ELECTRIC

- High performance, economic and efficient.
- Floor or bench mounted.
- All stainless front and anti-splatter plate surround.
- Cook plates standard smooth mild steel
- Cook plates optional extra ribbed or high polished or stainless steel
- Easy clean, heavy duty design.
- Generous drip tray.
- Available with hot plates.
- Choose from 11 models.
- Also available combination ranges including griddle plates.

Specifications:

SPECIFICATIONS STANDARD

- Stainless steel fascia and hob standard.
- All models height adjustable 50mm
- Cook surface with grease trough in front, generous grease chute and catcher.
- Stainless steel splashback, 18 gauge, 150mm high at rear reducing to 70mm at sides of cook plate.
- Individually operated and multiple heat zones.
- Standard griddle available in mild steel, normal polished.
- Optional extra, griddles available in high polished, ribbed or stainless steel.
- Available as a bench model, stand mounted.



SPECIFICATION ELECTRIC

- Salamander combinations supplied mild steel plate 10mm.
- Incoloy infra-red elements and plated wire rack.
- Thermostatically controlled.

PRODUCT	MODEL No	OVERALL DIMENSIONS			GRIDDLE PLATE DIMENSIONS		ELECTRICAL RATING		NET WGT Kg	CUBIC METRE PACKED	
		WIDTH mm	DEPTH mm	HEIGHT mm	WIDTH mm	DEPTH mm	240V 2 Phase Kw	415V 3/5 PIN Kw			
GRIDDLE	BENCH MODELS 690mm DEEP	GPE-30	740	690	430	740	440	9.6	—	164	0.22
		GPE-45	1120			1120		—	14.4	180	0.35
	BENCH MODELS 800mm DEEP	GPEDB-24	610	800	520	610	520	12	—	159	0.26
		GPEDB-36	914			914		—	18	200	0.40
STAND MOUNTED	BENCH MODELS	GPEDB/ST-24	610	800	660	610	520	6.0	—	165	0.34
		GPEDB/ST-36	914			914		—	9.0	190	0.50



ABN 74 000 100 845 - ABN 87 002 481 521

Group Sales: 211-213 Woodpark Rd, Smithfield NSW 2164
 Telephone (02) 9604 7333 Facsimile (02) 9604 5420
 Vic (03) 9553 1355. Qld (07) 3891 1466.



Proudly Distributed by