

• **GAS & ELECTRIC TILTING PAN FRYERS** •

PROUDLY AUSTRALIAN MADE



TPG150

- **SIMMER**
- **BRAISE**
- **GRILL**
- **SAUTE**
- **STEW**
- **BOIL**
- **STEAM**



Goldstein

Established 1911



The Cooking Equipment Professionals

www.goldstein.com.au

● GAS & ELECTRIC TILTING PAN FRYERS ●

SPECIFICATIONS

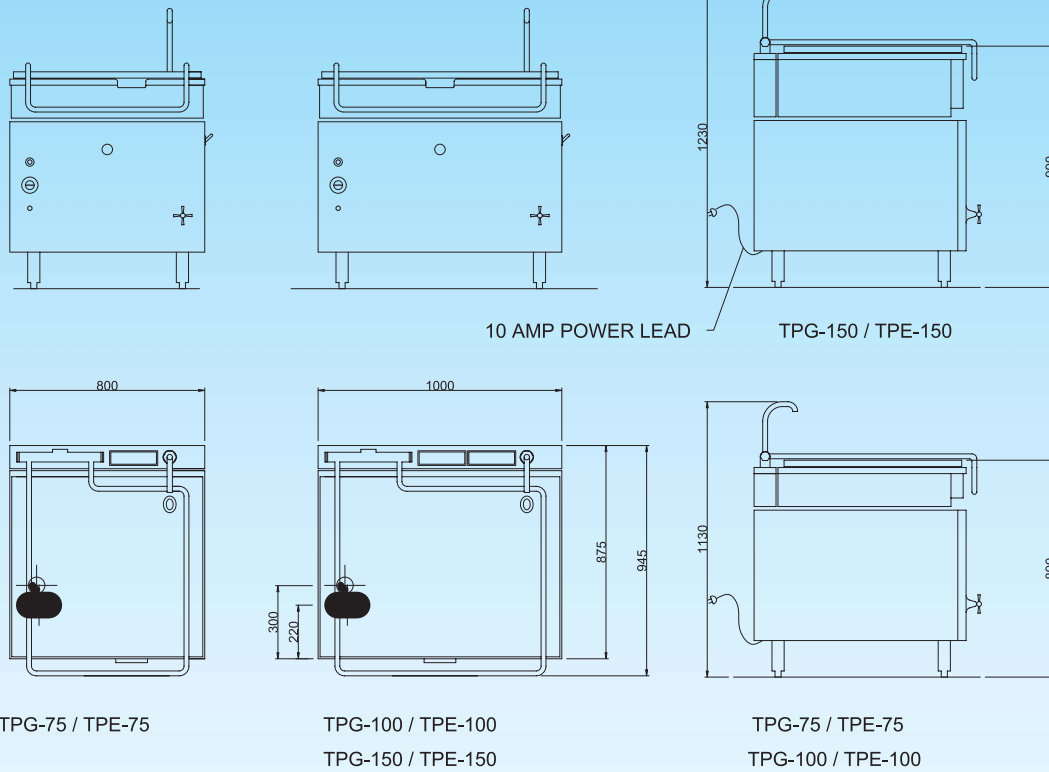
GOLDSTEIN BRATT PAN EXCLUSIVE FEATURES

- Framed pan construction with base of "Duplex" 2250 stainless steel 10mm plate, giving even heat spread over entire pan.
- 2mm stainless steel sides welded to the base.
- Covered corners and positive lip.
- Pan front hinged and mechanically tilting by ball screw and multi star thread standard.
- Support base has rigid steel frame mounted on adjustable stainless steel legs.
- Electric tilt standard on TPE & TPG units
- Exterior, front, back, sides, 1mm stainless steel no. 4 polish.

- Aromatic gas burners.
- Piezo spark ignition for easy lighting.
- Pan tilting mechanism and heat control units incorporated in base.
- Cold water faucet and tab standard.
- Counter balanced lid.

OPTIONAL EXTRA

- Manual tilt mechanism with limit switches and ball screw on TP-75 & 100
- Hot Water connection.



- WATER INLET 1/2" PIPE

- GAS INLET 3/4" BSP OR ELECTRIC

| MODEL NO. | OVERALL DIMENSIONS | | | | PAN SIZE | | | NOMINAL CAPACITY | GAS | | ELECTRICAL RATING | NET WGT | CUBIC METRE PACKED | APP. NO. |
|-----------|--------------------|-------|--------|---------|----------|-------|--------|------------------|--------|------|-------------------|---------|--------------------|----------|
| | WIDTH | DEPTH | HEIGHT | WORK.H. | WIDTH | DEPTH | HEIGHT | | RATING | SIZE | | | | |
| | mm | mm | mm | mm | mm | mm | mm | litres | Mj | mm | 415V 3/5PIN | kg | | |
| TPG-75 | 800 | 945 | 1115 | 864 | 686 | 666 | 185 | 75 | 80 | 19 | - | 159 | 0.7 | 2303 |
| TPG-100 | 1000 | 945 | 1115 | 864 | 890 | 667 | 185 | 100 | 100 | 19 | - | 180 | 0.9 | 2303 |
| TPG-150 | 1000 | 945 | 1230 | 980 | 890 | 666 | 300 | 150 | 120 | 19 | - | 190 | 1.0 | 2303 |
| TPE-75 | 800 | 945 | 1115 | 864 | 686 | 666 | 185 | 75 | - | - | 12 | 159 | 0.7 | - |
| TPE-100 | 1000 | 945 | 1115 | 864 | 890 | 667 | 185 | 100 | - | - | 18 | 180 | 0.9 | - |
| TPE-150 | 1000 | 945 | 1230 | 980 | 890 | 666 | 300 | 150 | - | - | 18 | 190 | 1.0 | - |

B05



ABN 74 000 100 845 - ABN 87 002 481 521

Group Sales: 211-213 Woodpark Rd, Smithfield NSW 2164
 Telephone (02) 9604 7333 Facsimile (02) 9604 5420
 Vic (03) 9553 1355. Qld (07) 3891 1466.
 SA (08) 8238 3423. WA (08) 9456 0559.
 Distributors: ACT (02) 6280 4088. Tas (03) 6234 8300.



Proudly Distributed by

Goldstein Eswood Continually strive to improve all of our products, therefore specifications may be amended from those printed in this brochure without notice Publication ESW776.0503